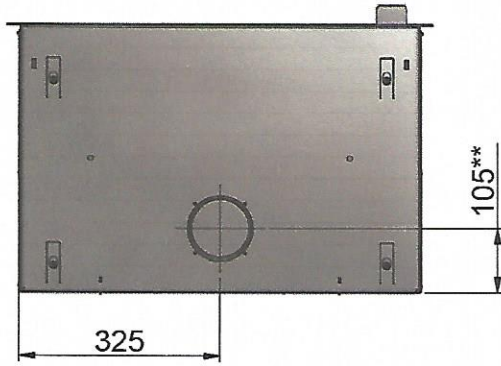


Dimension sketch



* Centre external air supply, rear side

** Centre of external air supply, bottom

